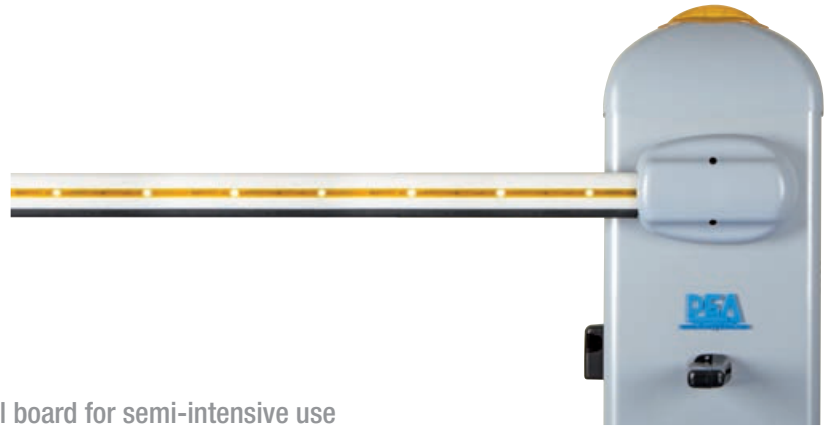


STOP

Electromechanical barrier



NET230N 230V a.c. barriers with control board for semi-intensive use

COD.	Art.	EN	Icon	Icon	Icon	Icon	Icon	OTHER CHARACTERISTICS
645030	STOPNET/V	EN 12453 EN 12445	4 mt fast	• •	NET230N	•		- Supplied with 2 springs - Motor control by encoder and obstacle detection
645031	STOPNET/L	EN 12453 EN 12445	6 and 7,5 mt slow	• •	NET230N	•		- Supplied with 4 springs - Motor control by encoder and obstacle detection

230V a.c. barriers without control board for semi-intensive use to install 2 opposite barriers

COD.	Art.	Icon	Icon	Icon	Icon	OTHER CHARACTERISTICS
645002	STOP/SV	4 mt fast	• •	•		- To be combined with STOPNET/V
645003	STOP/SL	6 and 7,5 mt slow	• •	•		- To be combined with STOPNET/L

All models have: flashing lights, boom, boom holder and foundation plate not included (see on page 106) - stainless steel version: available on demand
Booms 7,5 mt. long: add at least 1 KIT MOLLA (see on page 107).

Warning: Proper functioning of this model is guaranteed with perfect balance of the spring and adjustment of slow down

NET24N 24V d.c. barriers with control board for intensive use

COD.	Art.	EN	Icon	Icon	Icon	Icon	Icon	OTHER CHARACTERISTICS
645020	STOP24NET/V	EN 12453 EN 12445	4 mt fast	• • •	NET24N	•		- Supplied with 2 springs - Motor control by encoder and obstacle detection
645021	STOP24NET/L	EN 12453 EN 12445	6 and 7,5 mt slow	• • •	NET24N	•		- Supplied with 4 springs - Motor control by encoder and obstacle detection

24V d.c. barriers without control board for intensive use to install 2 opposite barriers

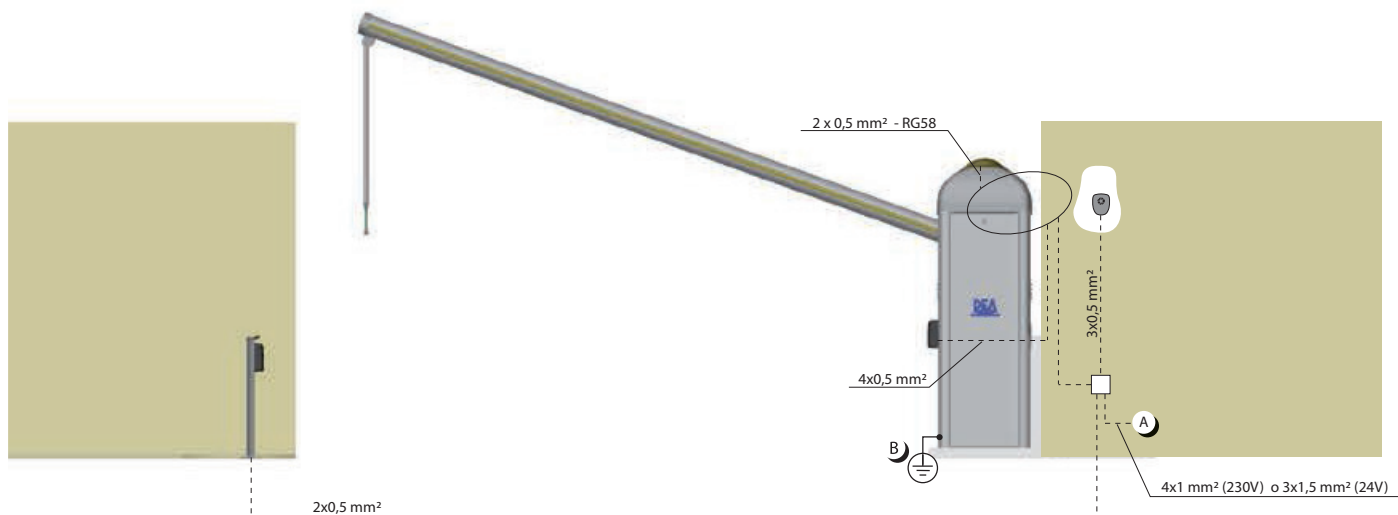
COD.	Art.	Icon	Icon	Icon	Icon	OTHER CHARACTERISTICS
645012	STOP24/SV	4 mt fast	• • •	•		- To be combined with STOP24NET/V
645013	STOP24/SL	6 and 7,5 mt slow	• • •	•		- To be combined with STOP24NET/L

All models have: flashing lights, boom, boom holder and foundation plate not included (see on page 106) - stainless steel version: available on demand
Booms 7,5 mt. long: add at least 1 KIT MOLLA (see on page 107).

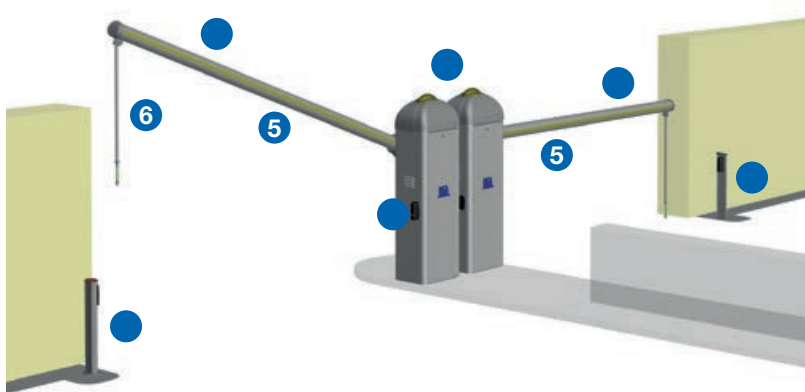
Warning: Proper functioning of this model is guaranteed with perfect balance of the spring and adjustment of slow down

TECHNICAL INFO	STOPNET/V STOP/SV	STOPNET/L STOP/SL	STOP24NET/V STOP24/SV	STOP24NET/L STOP24/SL
Boom length	4 mt	4 ÷ 6 mt > 6 mt	4 mt	4 ÷ 6 mt > 6 mt
Motor power supply (V)	230 AC ± 10 % (50/60 Hz)		24 DC	24 DC 24 DC
Maximum power absorption (W)	500	500	120	120 120
Type of boom	Refer to "Boom Length" table of instructions manual			
Duty cycle (cycles/hours)	350	150	125	500 250 170
N. max cycles in 24h.	2800	1760	1150	4000 2000 1360
Built-in capacitor (µF)	18	18	18	/ / /
Operating temperature (°C)	-20 ÷ 50	-20 ÷ 50	-20 ÷ 50	-20 ÷ 50 -20 ÷ 50 -20 ÷ 50
Motor thermal protection (°C)	150	150	150	/ / /
90° Opening time (s)	3	6,5	8	2,7 5,3 7,5
Weight with packing (Kg)	81	81	81	79 79 79
Protection degree	IP34	IP34	IP34	IP34 IP34 IP34

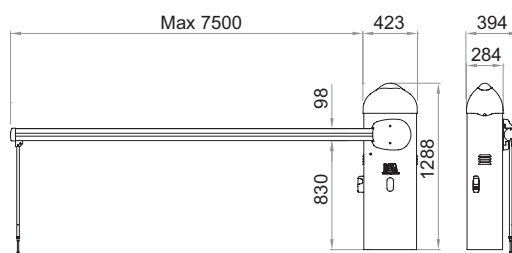
ELECTRICAL DIAGRAM



EXAMPLE OF A TYPICAL INSTALLATION



DIMENSIONS



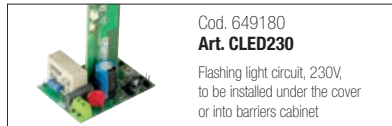
 <p>Cod. 645031 Art. STOPNET/L Electromechanical barrier</p>	 <p>Cod. 649072 Art. STOP/B Foundation plate</p>	 <p>Cod. 649191 Art. STOP6 DEA round painted boom mm. 6000xØ95, with fluorescent red stickers art.1012</p>
 <p>Cod. 649230 Art. OMSTOP Boom holder for DEA round booms art. STOP 4 and STOP6</p>	 <p>Cod. 649180 Art. CLED230 Flashing light circuit, 230V, to be installed under the cover or into barriers cabinet</p>	 <p>Cod. 649160 Art. BSF Bracket for Linear photocells</p>
 <p>Cod. 662044 Art. LINEAR Pair of adjustable photocells (180°) with possibility of synchronized operating. Range 20 Mt</p>	 <p>Cod. 664000 Art. PILLY/60 Pair of aluminium columns for photocells, height 55 cm.</p>	 <p>Cod. 672580 Art. TR2 Remote control Black version art. TR2N also available (page 118)</p>
 <p>Cod. 321810 Art. GSOFTP Safety rubber profile for STOP and PASS, EDPM S65, 24 mt.</p>	 <p>Cod. 649000 Art. 1006 Mobile boom support</p>	 <p>Cod. 668010 Art. 127 Warning sign</p>

SPECIFIC ACCESSORIES



Cod. 649181
Art. CLED24

Flashing light circuit, 24V,
to be installed under the cover
or into barriers cabinet



Cod. 649180
Art. CLED230

Flashing light circuit, 230V,
to be installed under the cover
or into barriers cabinet



Cod. 101004
Art. 1012

Fluorescent red stickers



Cod. 649190
Art. STOP4

DEA round painted boom mm.
4000xØ95, with fluorescent red
stickers art.1012



Cod. 649191
Art. STOP6

DEA round painted boom mm.
6000xØ95, with fluorescent
red stickers art.1012



Cod. 649230
Art. OMSTOP

Boom holder for DEA round
booms art. STOP 4 and STOP6



Cod. 649192
Art. STOP7.5

DEA round painted boom mm.
7500xØ95, with fluorescent
red stickers art.1012



Cod. 649210
Art. OMSTOP75

Boom holder for DEA round booms
art. STOP7.5



Cod. 381801
Art. OMSTOP100

Boom holder for commercial
rectangular booms
mm.2 th. x 100H x 50width

Add at least 1 KIT MOLLA (see on page 107). Not compatible with skirt art. 1005.



Cod. 381802
Art. OMSTOP80

Boom holder for commercial
round booms
mm. 2 th. x Ø80



Cod. 649220
Art. KIT MOLLA

Supplementary spring set for
STOP barriers



Cod. 649170
Art. LED4

Led Strip + Feeder for booms up to 4 mt.
(9 mt. long), 7,5 mt booms two pieces
are required.



Cod. 649171
Art. LED6

Led Strip + Feeder for booms up to
6 mt. (13 mt. long)



Cod. 386390
Art. 1005

Aluminium skirt 2 mt long



Cod. 649000
Art. 1006

Mobile boom support



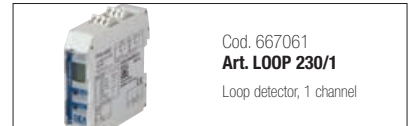
Cod. 649020
Art. 1010

Adjustable fixed boom support



Cod. 649021
Art. 1010/M

Adjustable fixed boom
support with magnet



Cod. 667061
Art. LOOP 230/1

Loop detector, 1 channel



Cod. 667071
Art. LOOP 230/2

Loop detector, 2 channels



Cod. 681030
Art. SMF230/2

Lamp traffic light with red-green lights



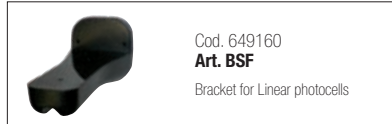
Cod. 649072
Art. STOP/B

Foundation plate



Cod. 321810
Art. GSOFTP

Safety rubber profile for STOP and PASS,
EDPM S65, 24 mt.



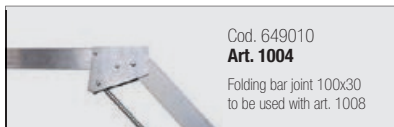
Cod. 649160
Art. BSF

Bracket for Linear photocells



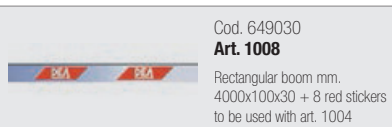
Cod. 649201
Art. BATT STOP

Batteries set for STOP barriers complete
with 2 x 4,5Ah batteries, fixing plates
and connecting cables



Cod. 649010
Art. 1004

Folding bar joint 100x30
to be used with art. 1008



Cod. 649030
Art. 1008

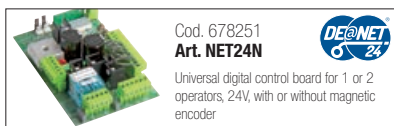
Rectangular boom mm.
4000x100x30 + 8 red stickers
to be used with art. 1004



Cod. 381806
Art. OMSTOP30

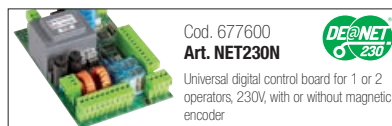
Boom holder for rectangular
booms dims. 100x30

OTHER ACCESSORIES



Cod. 678251
Art. NET24N

Universal digital control board for 1 or 2
operators, 24V, with or without magnetic
encoder



Cod. 677600
Art. NET230N

Universal digital control board for 1 or 2
operators, 230V, with or without magnetic
encoder



Cod. 672590
Art. TR4

Remote control
Black version art. TR4N also available
(page 118)



Cod. 662044
Art. LINEAR

Pair of adjustable photocells (180°)
with possibility of synchronized operating.
Range 20 Mt



Cod. 672580
Art. TR2

Remote control
Black version art. TR2N also available
(page 118)



Cod. 681060
Art. COVER

Vandal-proof aluminium cover for
art. LINEAR and LINEAR/B



Cod. 663030
Art. 102LUX

Keyswitch with two contacts, flush
mounted. Supplied with 2 keys.



Cod. 662043
Art. LINEAR/B

Pair of adjustable photocells (180°)
with tx supplied by a LiOn battery.
Range 7/15 Mt



Cod. 663280
Art. DIGIRAD

Wireless keypad



Cod. 663270
Art. DIGINET

Hardwired keypad for BUS connections
to MASTER devices of range DE@NET
(NET24N, NET230N, MASTERNET)



Cod. 663060
Art. KYO

Aluminium vandal-proof
keyswitch, flush mounted.



Cod. 664000
Art. PILLY/60

Pair of aluminium columns for photocells,
height 55 cm.



Cod. 664010
Art. PILLY/120

Pair of aluminium columns for photocells,
height 100 cm.



Cod. 664020
Art. PILLY/base

Pair of fixing plates for columns
to be cemented.